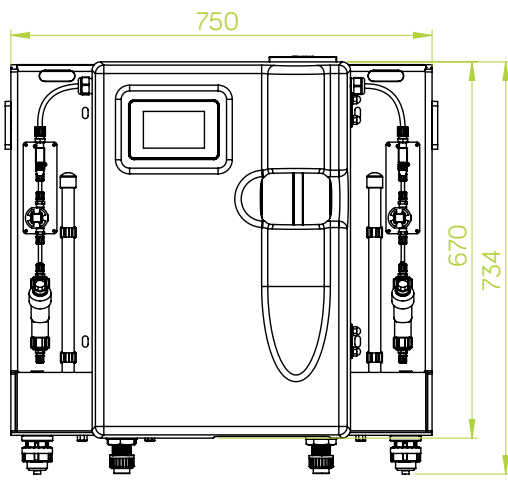


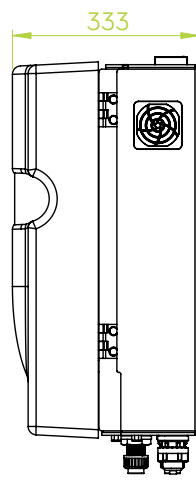
IN-SITU CHLORINE DIOXIDE GENERATION SYSTEM

Dimensions

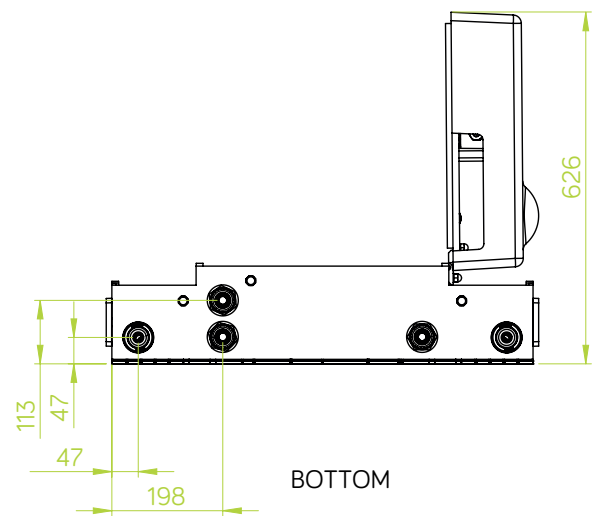
Modular



FRONT

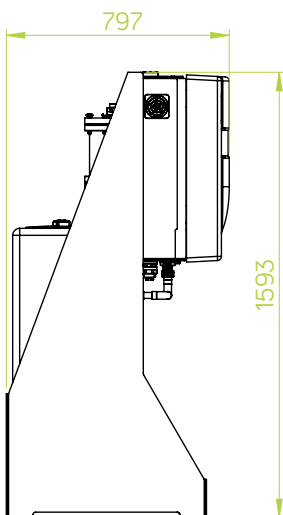


SIDE

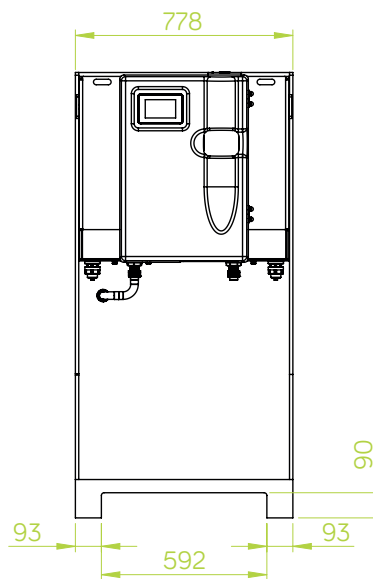


BOTTOM

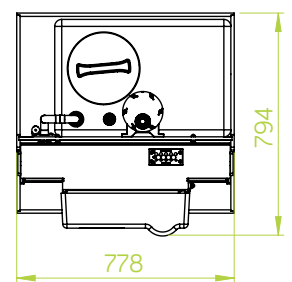
Skid



SIDE



FRONT



TOP

Features

Control

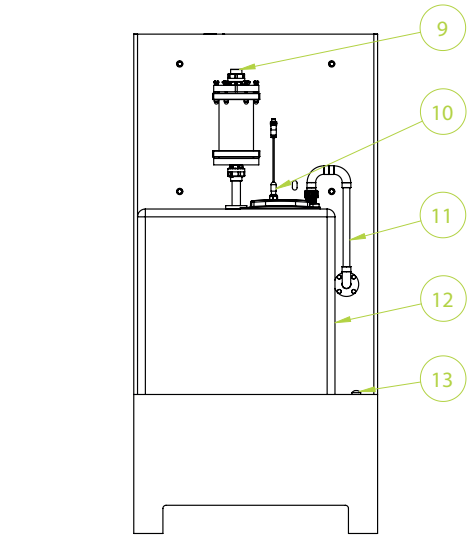
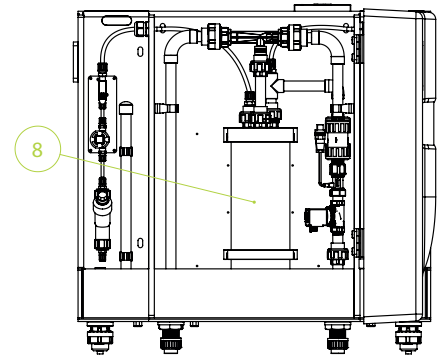
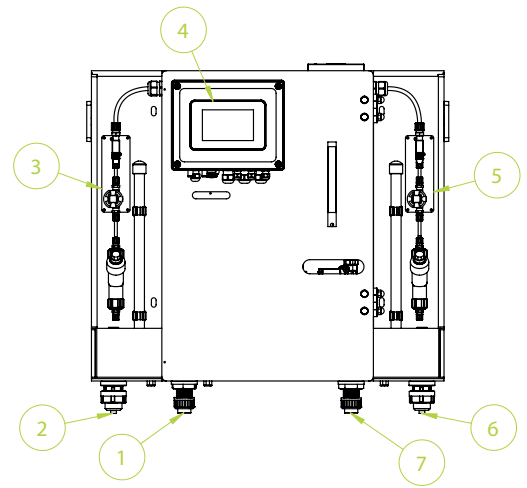
- Chemical usage counters
- Variable output control
- Alarm and Event logs
- Service reminders
- Live process mimics
- Adjustable reagent concentrations
- Reagent refill reminders
- Vacuum batched reagents

Inputs

- Reagent A level
- Reagent B level
- Tank start/stop
- Tank high level
- Tank low level
- Batch control contact
- E-stop
- Remote Inhibit
- Site water meter

Outputs

- Alarm signal contact
- Modbus RTU/TCP
- EtherNet/IP
- BACnet
- CANopen
- Email/SMS
- VNC



Specifications

Reagent Data		125L	250L	250M	250H	500M	500H	1000H	2000H
A (5-10% HCl)	w/w%	✓	✓						
A (10-15% HCl)	w/w%			✓		✓			
A (25-32% HCl)*	w/w%				✓		✓	✓	✓
B (7.5% NaClO ₂)	w/w%	✓	✓						
B (14% NaClO ₂)	w/w%			✓		✓			
B (25% NaClO ₂)*	w/w%				✓		✓	✓	✓
Reagent Temperature	°C	10 - 30							
Product Output									
ClO ₂ Capacity	g/h	125	250	250	250	500	500	1000	2000
ClO ₂ Capacity	kg/d	3	6	6	6	12	12	24	48
ClO ₂ Solution	L/h	62.5	125	125	125	250	250	500	1000
ClO ₂ Concentration	mg/L	2000							
ClO ₂ Storage	L	200 (Skid Systems Only)							
Operating Water (Potable Quality)									
Inlet Water Consumption	L/h	56	112	120	122	240	240	480	960
Inlet Water Pressure	MPa	0.2 - 0.3							
Inlet Water Temperature	°C	5 - 30							
Environmental									
Protection Class	IP	65 (Indoor Use)							
Ambient Temperature	°C	5 - 40							
Humidity	% RH	90 (Non-Condensing)							
Electrical Data									
Supply Voltage	V~	110 - 230V							
Frequency	Hz	50 - 60							
Rated Power	W	60							
Size Data									
Dimensions	mm	Modular: 729H x 750W x 333D / Skid: 1593H x 778W x 797D							
Weight	Kg	Modular: 32Kg / Skid: 85Kg							
Connections									
Inlet Water	-	½" / 20mm Solvent Welded Union End / G1"							
Inlet Water Prv	-	R½" / G¾"							
Product Outlet	-	½" / 20mm Solvent Welded Union End / G1"							
Reagent Inlets	-	6mmOD x 4mmID							
Reagent Dual Containment	-	20mmOD (12.5mmD x 18.5mmOD Hose)							
Reagent Suction Controllers	-	6mmOD x 4mmID							

Schematics

Item	Feature Equipment	Item	Feature Equipment
1	Product Outlet	8	Reaction Vessel
2	Reagent A Inlet	9	Gas Scrubber
3	Reagent A Metering	10	Dual Float Level Switch
4	HMI	11	Product Tank Inlet
5	Reagent B Metering	12	Product Storage Tank
6	Reagent B Inlet	13	Bund Flood Float Switch
7	Dilution Water Inlet		

Unit 3a Newhouse Road,
 Huncoat Business Park,
 Accrington, Lancashire BB5 6NT

Gaffey Technical Services Ltd.
 call +44 (0)1254 350180
gaffeytechnology.com

a member of



Certificate No: 236922019