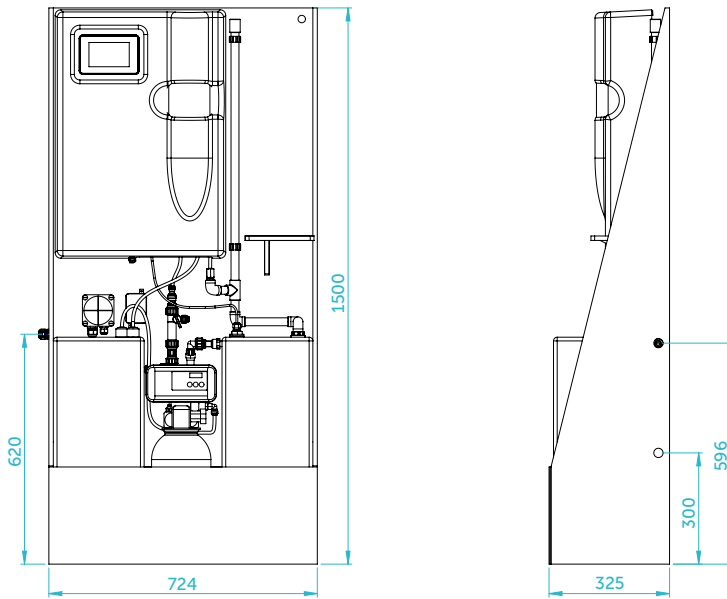


HYPROLYSER[®] iSEC[®]-2 SKID I & II 30-90

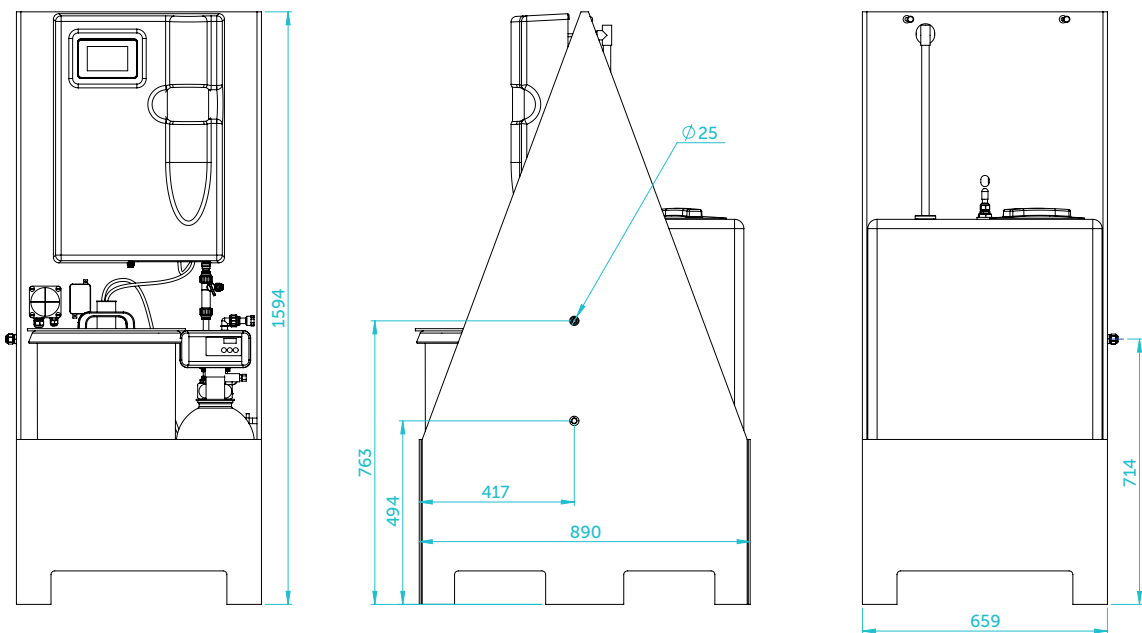
IN-SITU SODIUM HYPOCHLORITE GENERATION SYSTEM

Dimensions

Skid I



Skid II



Features

Control

- DSEAR compliant
- Water cooled IP54 power supply unit
- Eco Salt/Auto/Soft start operation modes
- Precise volumetric softened water & vacuum brine feed
- Advance multi-point temperature monitoring & auto-control compensation
- Water meter input with programmable dosing pulse output

- Alarm & event logs
- Service reminders
- Live process & IO mimics

Inputs

- External tank level control
- Remote inhibit
- E-Stop
- Batch control
- Site water meter
- Hydrogen detector

Outputs

- Alarm signal contact
- Programmable relay output
- Modbus RTU/TCP
- VNC
- Email alerts
- MQTT

Specifications

Model		30 Skid I	60 Skid II	90 Skid II
Cl ₂ Capacity	g/h	30	60	90
Cl ₂ Concentration	g/L	6 ±0.5		
NaClO Solution	L/h	5	10	15
Inlet Water Specification				
Pressure	MPa	0.2 - 0.4		
Temperature	°C	8 – 23*		
Environmental				
Protection class	IP	54 (Indoor use)		
Ambient temperature	°C	5 - 40		
Humidity	% RH	90 (non-condensing)		
Electrical Data				
Supply voltage	V~	230V~		
Frequency	Hz	50 - 60		
Max. rated power	VA	300	550	800
Consumption				
Power (kWh/kg Cl ₂)	kWh	4.0 – 5.0		
Salt (kg/kg Cl ₂)	Kg	3.0 – 3.5		
Connections				
Water inlet	-	15mmOD / R1/2		
Vent connection	-	20mm / ½" solvent weld socket		
Size Data				
Weight	Kg	57	81	
Dimensions	mm	1500H x 325D x 724W	1594H x 890D x 659W	
Salt saturator capacity	Kg	30	50	
Product tank capacity	L	30	200	

*Output automatically de-rated above 23°C

Gaffey Technical Services Ltd.
Unit 3a Newhouse Road,
Huncoat Business Park,
Accrington, Lancashire BB5 6NT

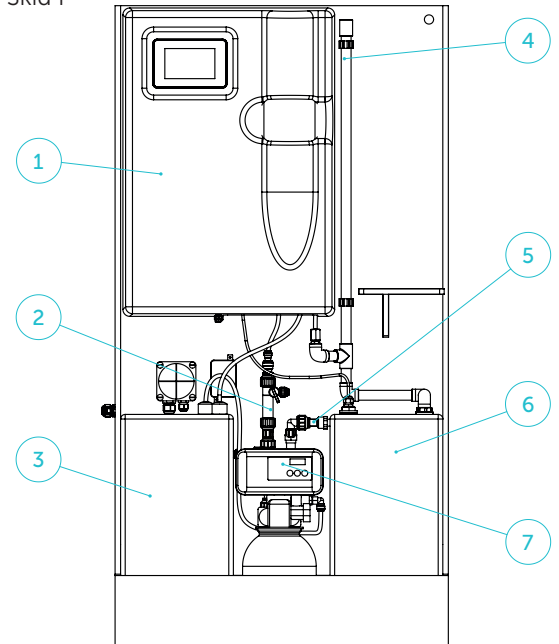
Gaffey Technical Services Ltd.
call **+44 (0) 1254 350180**

email info@gaffeytechnology.com
or visit www.gaffeytechnology.com

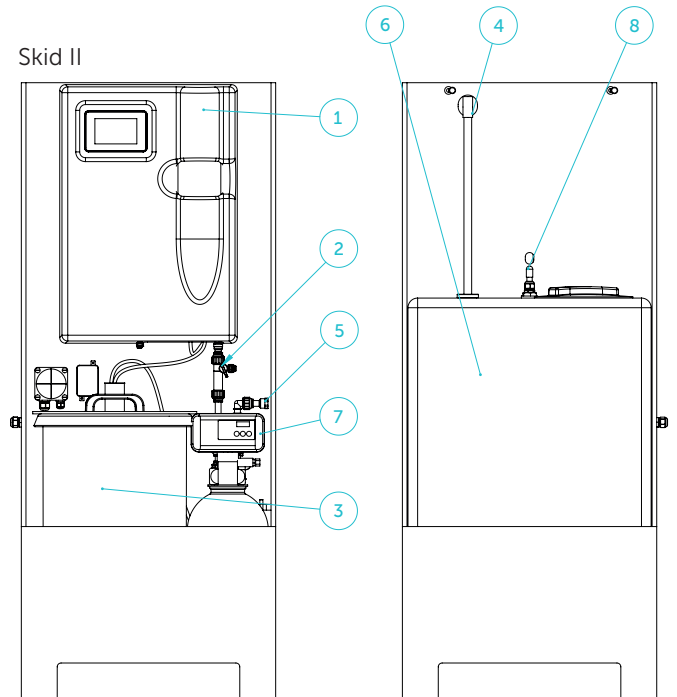
Schematics

Item	Feature Equipment
1	iSEC Modular
2	Soft water sample
3	Salt saturator tank
4	Vent outlet
5	Water inlet
6	Product storage tank
7	Water softener
8	Level switch

Skid I



Skid II



a member of

BRITISH
WATER

MADE IN
BRITAIN

QMS ISO 9001 : 2015 REGISTERED